

Journeyman Team

Transformer Change Out

Mean time: 14 minutes

Drop dead time: 21 minutes

Event summary:

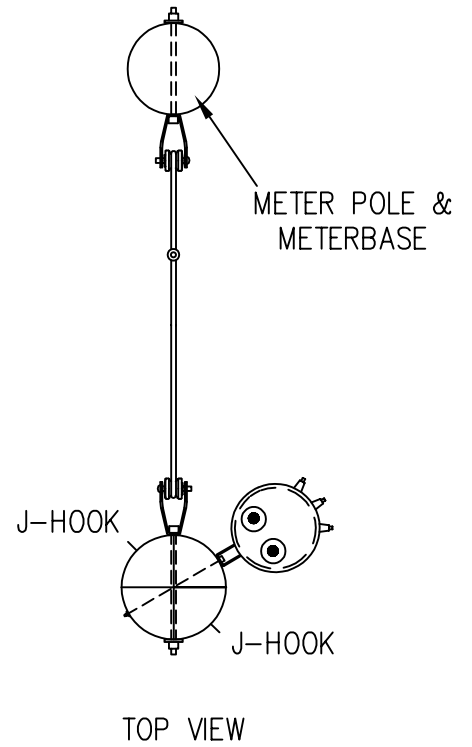
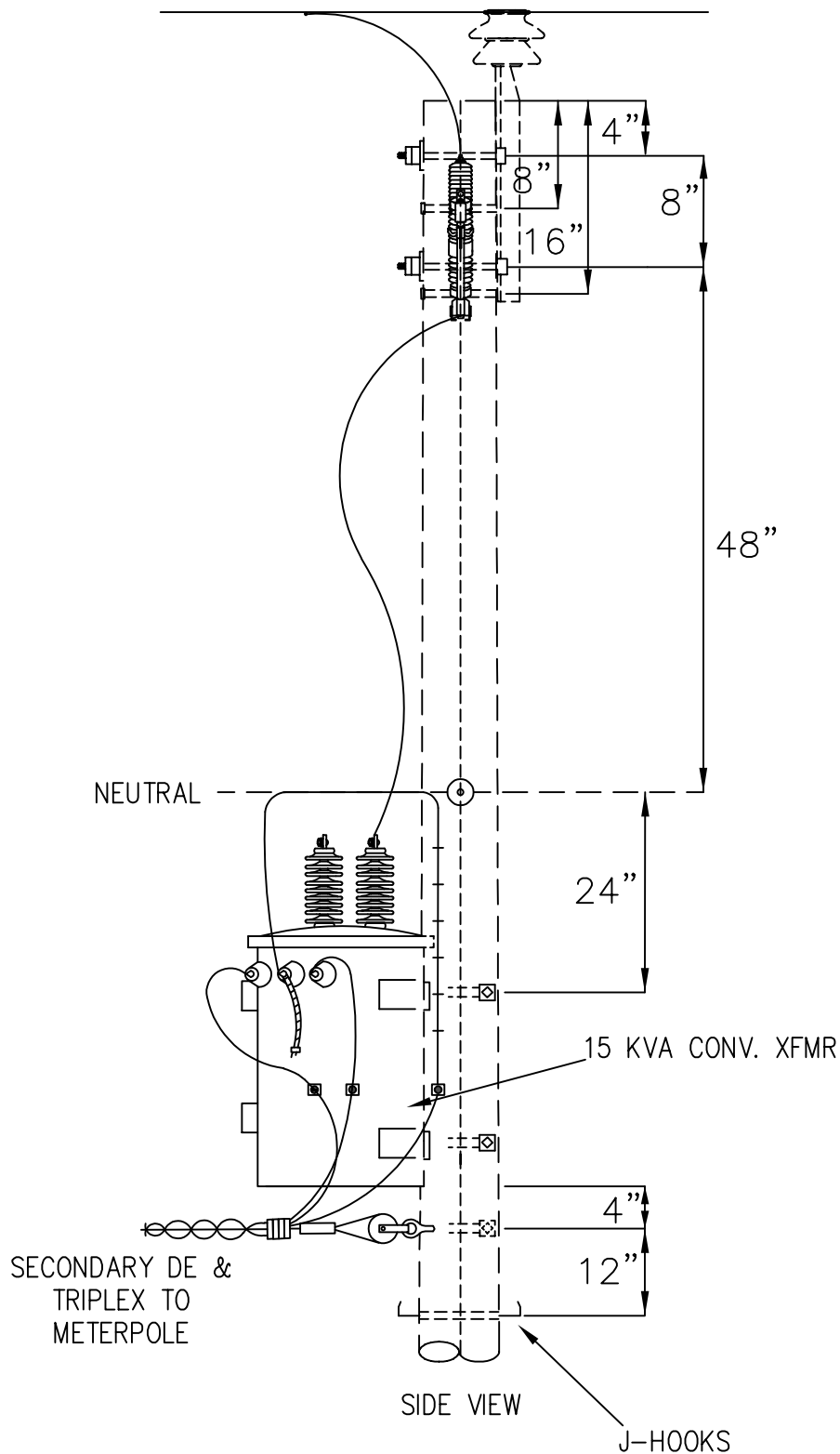
This event will require competitors to change out a single-phase transformer. The transformer will be a 15KVA. The neutral will be 60” down from the top of the pole and the top hanger of the transformer will be 24” below the neutral. There will be a fiberglass T-bracket and switch mounted feeding transformer.

Event description:

1. All general rules apply. Judging will start when the team enters the event and continues until they exit the event. The team will be allowed a 5-minute setup/question time. Rubber gloves can be checked during the 5-minute setup time. It is recommended that it is called to a judge’s attention.
2. Time will begin on the judge’s signal with the team standing next to the tarp. The linemen will be allowed to have their climbing tools on. All other tools and material must be on the tarp when the time begins. The hand-line block must be on the tarp, but the rope can be stretched across the ground.
3. The team will pull meter and open transformer before climbing pole. The neutral will need to be covered before removing stinger.
4. The transformer can be raised and lowered with any rigging rated for the load. Primary will not need to be covered if MAD is maintained.
5. Transformer will be closed back from the ground and voltage will be checked in meter base, A minimum of Class 00 gloves should be worn when checking lugs calling out voltage 120/120/240. Then meter will be set back.
6. All tools will be back on tarp when lineman calls time. The lineman will be allowed to keep tools on.







TENNESSEE VALLEY LINEMAN RODEO

REPLACE TRANSFORMER CONNECTIONS

DRAWN BY: MA

CHECKED BY: MA/JS

DATE: 1/14/2026

ASSEMBLY UNIT

2026
TVLR
EVENT

