

Crossarm Conductor Tie Individual Journeyman

Mean Time: 5 Minutes

Drop Dead Time: 7 Minutes 30 Seconds

Event Summary:

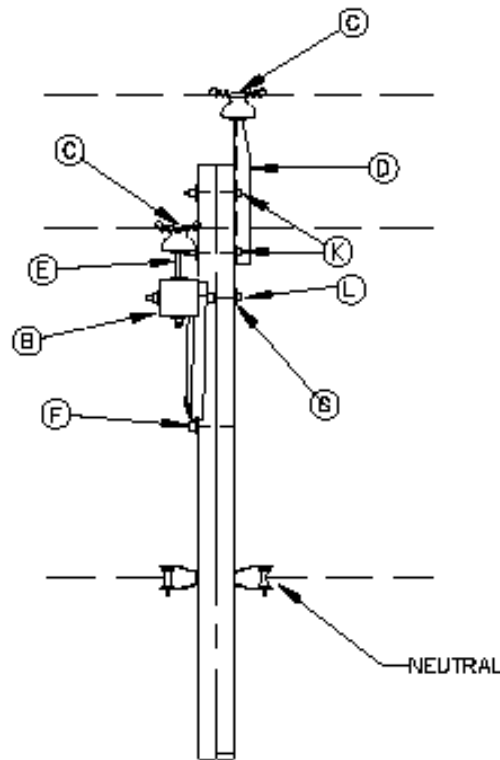
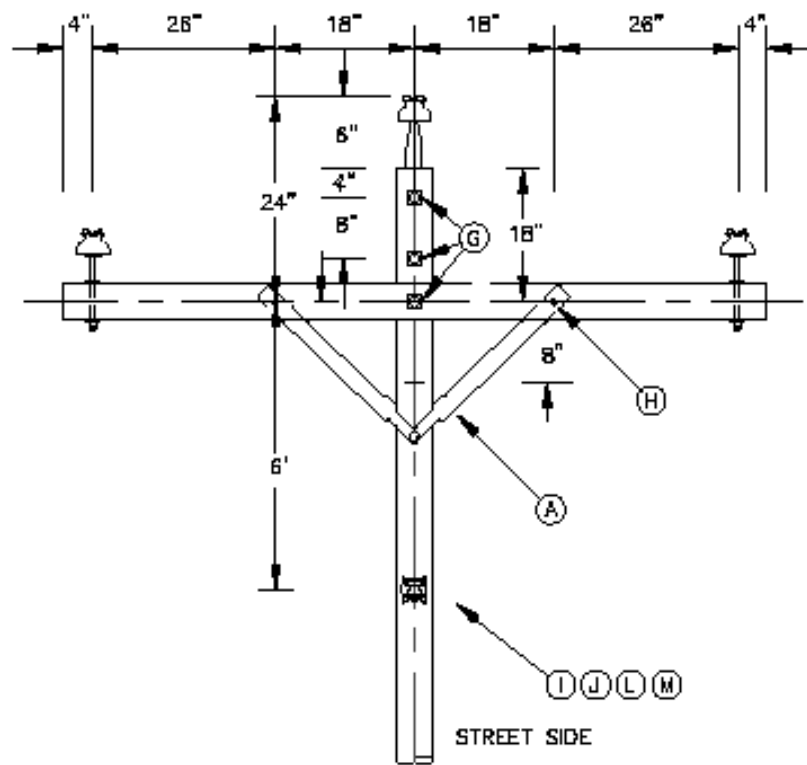
This event is simulated de-energized and grounded. Event starts at judge's signal. When event starts one of the outside phases will be tied in and the other will be in a stringing dollie. Competitor MUST remove phase from dollie and tie it in using preformed tie. Stringing dollie will then be moved to opposite outside phase. Bases will already be installed on both sides of crossarms for the dollie to be moved. Phase will be untied and secured into stringing dollie. Phase must be controlled at all times and cannot be floated or laid on pole or arm. Pre-formed ties will be used in this event. Ties must be installed properly, and rubber grommets must be replaced each time. No tool or material may be dropped including rubber grommet. Handline rope can be dropped after block has been railroaded and headache has been called. Only a screwdriver or appropriate tool may be used to pick the end of the preformed tie. Door of Dollie MUST face insulator! Time stops when event has been completed and competitor has both feet on the ground. Pre-formed ties MUST come up and go down in Material bag on handline. **The tie is a Preformed Products WTJ-0406. The pin insulator will be a PLP 25 KV Jneck part number IP-25-J2**

Event Specifications:

1. The Competitor will have 5 minutes to set up and ask questions.
2. Gaffs MUST be guarded outside of circle or while doing ground work.
3. Competitor may tool up during set up time.
4. All tools and materials must be sent up and down using material bag and handline. This includes preformed ties.
5. Neutral will be attached 6 ft below through bolt of crossarm.
6. All general rules apply.

ITEM	QTY.	CODE	DESCRIPTION	ITEM	QTY.	CODE	DESCRIPTION
A	2	Q160	BRACE, CROSSARM, 28"	H	2	39D4	BOLT, CARRIAGE, 3/8" X 4 1/2"
B	1	0500	CROSSARM, 8' X 3 1/2" X 4 1/2"	I	2	0575	DEADEND, FLEXIBLE
C	3	0666	INSULATOR, PIN TYPE 12KV	J	2	0670	INSULATOR, SECONDARY SPOOL
D	1	0850	PIN, POLE TOP	K	2	4510	BOLT, MACHINE, 5/8" X 10"
E	2	0858	PIN, STEEL, 5/8" X 11 3/4"	L	1	4512	BOLT, MACHINE, 5/8" X 12"
F	1	1067	SCREW, LAG, 1/2" X 4"	M	2	D225	CLEVIS, SECONDARY
G	5	122B	WASHER, SQ., 2 1/4" X 3/16"				

UNIT:	HORIZONTAL 0'-5'
DRAWN BY:	PNH
CHECKED BY:	MC
DATE:	08/29/01



SUFFIX	WIRE SIZE
-1	4 ACSR
-2	2 AL
-3	3/0 AL



Jackson Energy Authority

UNIT DESIGNATION

C1-12,3



CI Conductor Tie
Individual Journey Man
150x90

Scale
1" = 20'

