

C1 Conductor Tie Event

(Journeyman Team Event)

Event Time: 10 min

Drop Dead Time: 15 min

Event Summary:

This event is simulated de-energized and grounded. Event starts at judge's signal.

The first climber will climb to the top of pole and secure handline. Using the handline and material bag groundman will send up three stringing dollies. The dollies will be installed on the crossarm with the doors facing the insulator. The doors MUST be latched. The center dolly can be on either side.

Lineman will untie one phase at a time and move phase to dolly.

Phase must be controlled at all times and cannot be floated or laid on pole or arm. Once all three phases are in rollers the first climber will come to the ground. Second climber will then climb pole and reattach phases to insulators with new preformed ties.

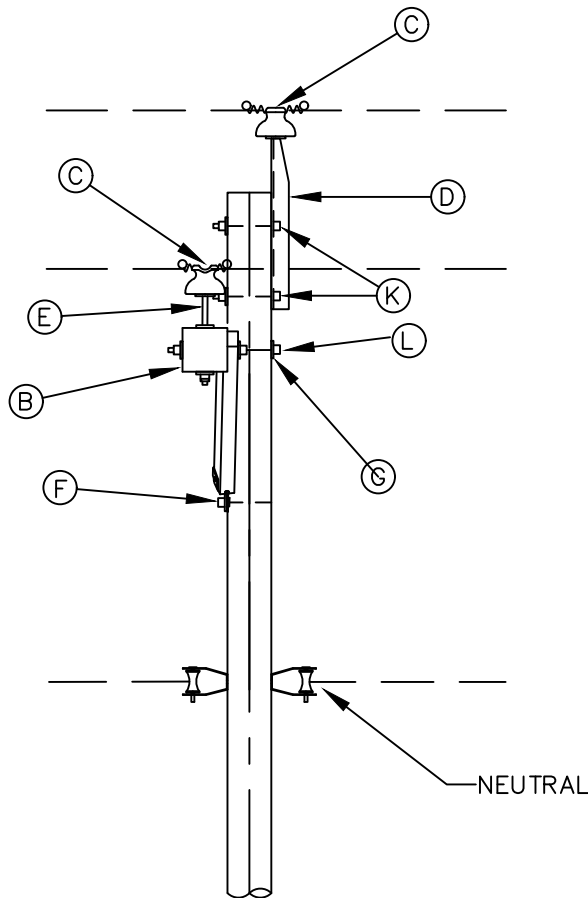
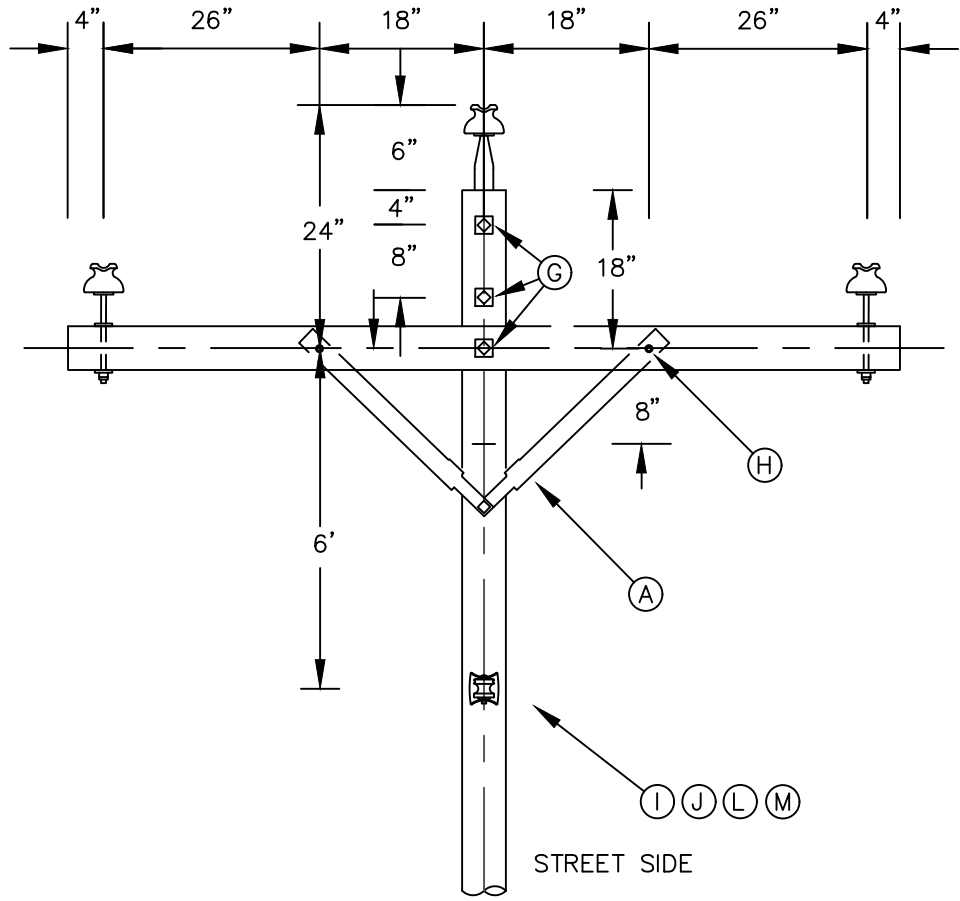
Stringing dollies must then be lowered to ground. Handline block must be railroaded back to groundman. Time stops when all work has been completed and second climber is back on the ground. Handline must be tagged away from pole when climbers are ascending or descending pole. Preformed ties will be used in this event. Ties must be installed properly and rubber grommets must be replaced each time. No tool or material may be dropped. Handline rope can be dropped after block has been railroaded and headache has been called. Only a screwdriver or tool designed to remove ties may be used to pick the end of the preformed tie. **The pin insulator will be a PLP 25 KV Jneck part number IP-25-J2. The tie is a Preformed Products WTJ-0406.**

Event Specifications:

1. The team will have 5 minutes to set up and ask questions.
2. All tools must be kept on tarp when not in use.
3. Gaffs MUST be guarded outside of circle or while doing ground work.
4. Second climber must wait for first climber to be off pole and clear before attaching fall restraint.
5. All tools and materials must be sent up and down using material bag and handline. This includes dollies and preformed ties.
6. Neutral will be attached 6 ft below through bolt of crossarm.
7. All general rules apply.

ITEM	QTY.	CODE	DESCRIPTION	ITEM	QTY.	CODE	DESCRIPTION
A	2	0160	BRACE, CROSSARM, 28"	H	2	3904	BOLT, CARRIAGE, 3/8" X 4 1/2"
B	1	0500	CROSSARM, 8' X 3 1/2" X 4 1/2"	I	2	0575	DEADEND, FLEXIBLE
C	3	0666	INSULATOR, PIN TYPE 12KV	J	2	0670	INSULATOR, SECONDARY SPOOL
D	1	0850	PIN, POLE TOP	K	2	4510	BOLT, MACHINE, 5/8" X 10"
E	2	0858	PIN, STEEL, 5/8" X 11 3/4"	L	1	4512	BOLT, MACHINE, 5/8" X 12"
F	1	1067	SCREW, LAG, 1/2" X 4"	M	2	0225	CLEVIS, SECONDARY
G	5	1228	WASHER, SQ., 2 1/4" X 3/16"				

UNIT:	HORIZONTAL 0°-5°
DRAWN BY:	PNH
CHECKED BY:	MC
DATE:	08/29/01



SUFFIX	WIRE SIZE
-1	4 ACSR
-2	2 AL
-3	3/0 AL



Jackson Energy Authority

UNIT DESIGNATION

C1-1,2,3



Cl Conductor Tie
Individual Journey Man
150x90

Scale
1" = 20'

