

**Chief Judge: Josh Schraufnagel**

**Mean Time: 6 minutes**

**Drop Dead Time: 9 minutes**

## **Replace Transformer Connections**

### **Event Summary:**

This is a simulated energized event. The competitor has been dispatched on a trouble call involving partial power/blinking lights. The event consists of 2 poles. A primary/transformer pole and a meter pole with a sealed meter base and meter. The competitor will start with climbing tools off, in front of the meter base. Time starts with the judge's signal. The competitor will cut the meter seal, remove the meter, check voltage, and call out "bad voltage". After returning tools to the mat, the competitor will then go to the primary pole, put on climbing tools, and ascend the pole to the transformer. Once in working position, the competitor will hang handline, pull up bag and hotstick and hang the bag. The competitor will de-energize the transformer by opening the fuse. (finger of stick must be in the eye of fuse when opening/closing). The competitor will then change the three (3) secondary service connections. Competitor must verbally state, "brushing connections". Once the connections are changed, the transformer may be re-energized, stick returned to the bag, lowered, and handline railroaded yelling "headache". When descended and off the pole, the competitor will return to the meter base, check voltage with a voltmeter again and call out, "120,120,240". The meter will then be reinstalled and the meter base sealed. Once all hand tools and voltmeter are back on the mat and the competitor is satisfied, the competitor will call out "time".

### **Event Specifications:**

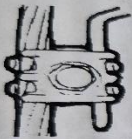

- The competitor may load bag, arrange tools, and ask questions in the 5-minute set up time.
- Event timing begins at judge's signal and ends when the meter is re-sealed and all tools are back on the tarp and competitor calls time.
- Rubber gloves are required ground to ground and for the energized meter socket.
- Voltage checks will be performed by touching voltmeter leads from leg to neutral, leg to neutral, leg to leg. (2 pt deduction for not properly checking voltage.)
- Climbing tools will be off and inside the primary pole circle. Competitors may choose to remove rubber gloves to put on climbing tools but the rubber gloves must be put back on before climbing pole.
- Hot stick must be in the bag when not in use
- Finger end of hot stick must be in eye of fuse when opening/closing

### **Materials:**

- **8ft.** hot stick, handline, stick bag, voltmeter, pliers, 1/2" wrench (competitor shall furnish)
- Tarp, meter seal and single bolt service connectors will be provided



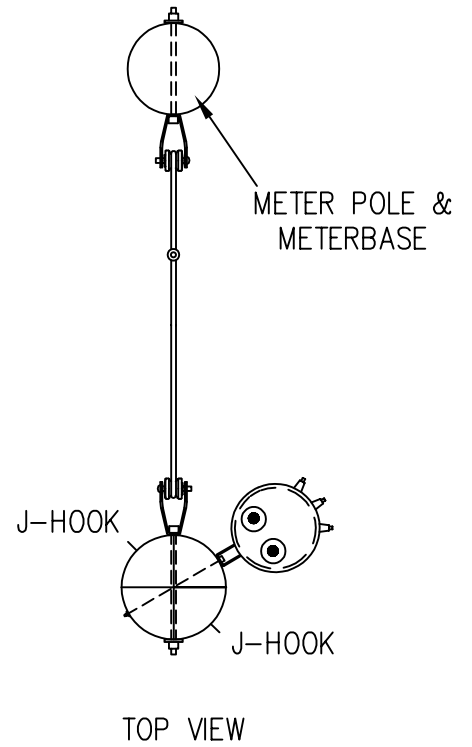
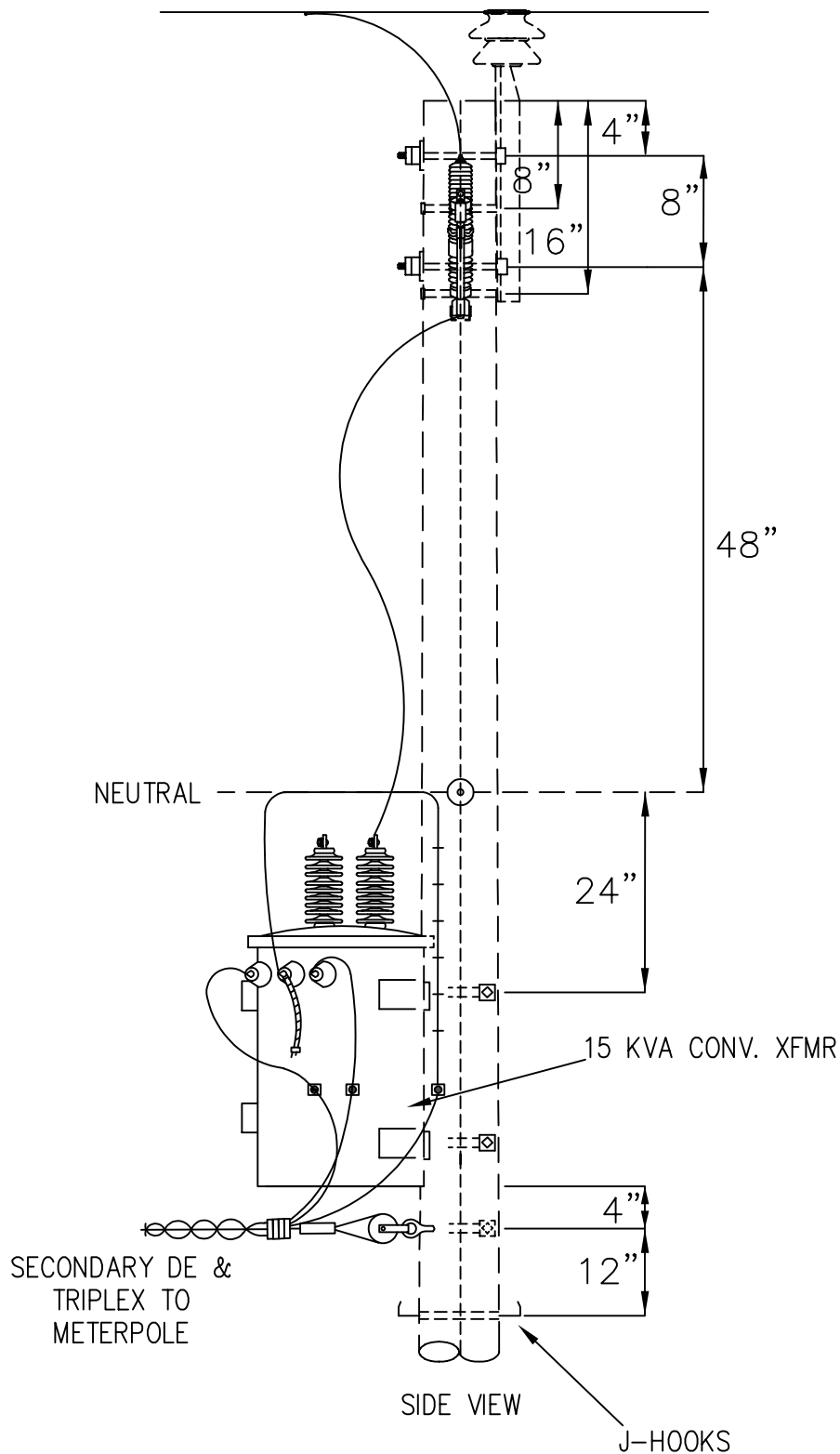
CAT. NO. **K1** 7 AA267210R0000

	<p><b>JUMPER CLAMP</b></p> <p>WIRE SIZE: 2/0 - 8 7/16 INCH GALVANIZED STRAND 3 SOLID IRON</p> <p>@ 05 -2224-27</p>
<p>MADE IN INDIA</p>	
<p>QTY <b>100</b></p>	<p>6 0 783786 30034 3</p>
<p>PIECE(S)</p>	<p><b>Blackburn</b>® SM</p>

Memphis, TN 38125  
[www.tnb.abb.com](http://www.tnb.abb.com) / [tnb.ca.abb.com](http://tnb.ca.abb.com) **Thomas&Betts**







TENNESSEE VALLEY LINEMAN RODEO

REPLACE TRANSFORMER CONNECTIONS

DRAWN BY: MA

CHECKED BY: MA/JS

DATE: 1/14/2026

ASSEMBLY UNIT

2026  
TVLR  
EVENT

A1 Transformer Change Out

1" = 40'

300 x 90

