

Chief Judge: Josh Schraufnagel

jschraufnagel@sces.net

Mean Time: 4 minutes

Drop Dead Time: 6 minutes

Single Phase Oil Recloser Bypass

Event Summary:

This is a simulated energized event in which a bad connection (hot line clamp) on the source side (handle side of oil recloser) will have to be changed out. The competitor will climb the pole, bypass, open, and isolate the single-phase oil recloser and change out the source side hot line clamp to the recloser. The competitor will then reinstall jumpers, close the recloser with the yellow mechanism handle, and open the bypass before climbing down.

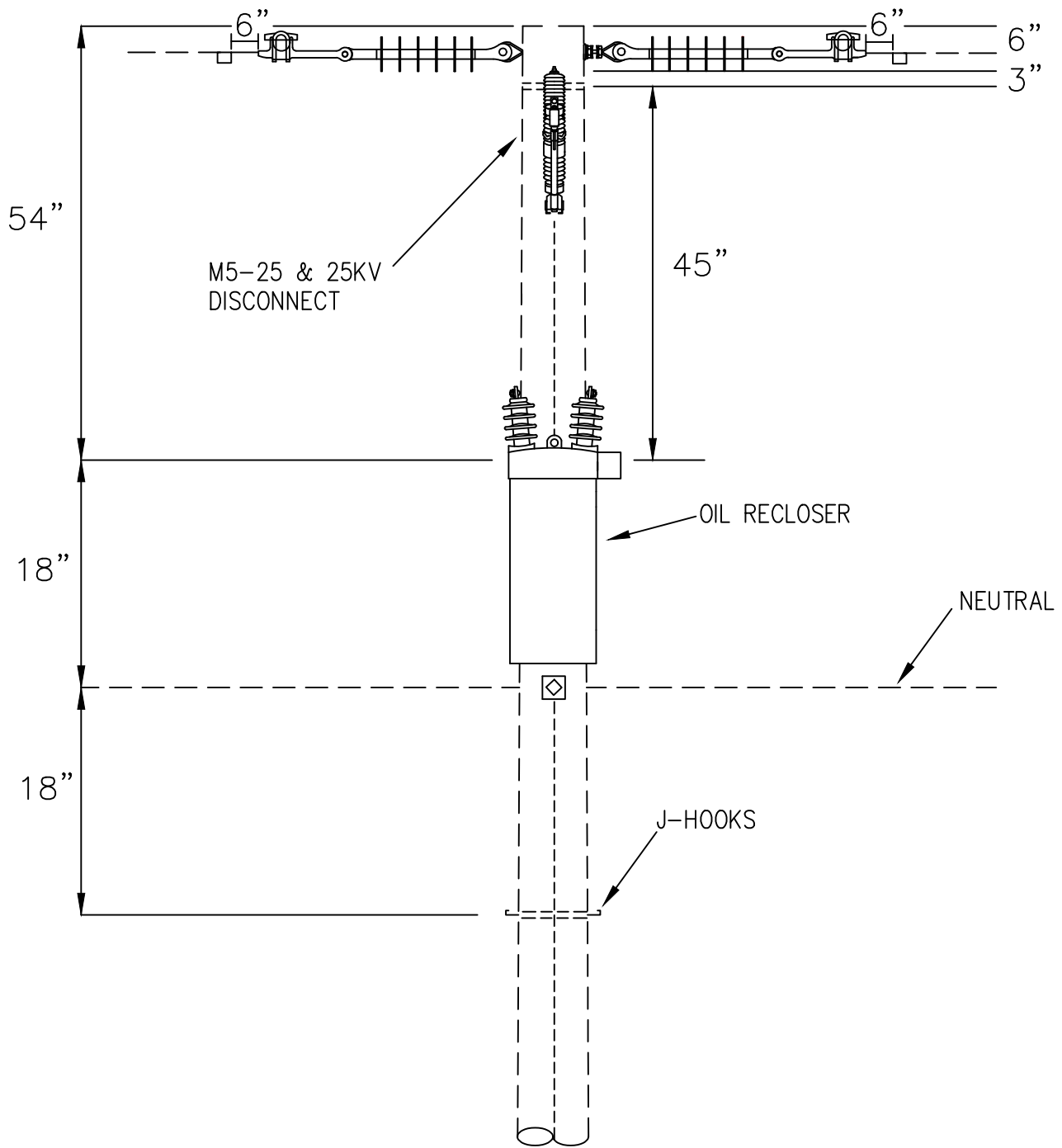
The competitor may start with climbing tools on, inside the pole circle. Time will start on the judges signal and will stop when both feet are back on the ground. The Journeyman shall climb the pole to working position, hang handline and raise bag with **8ft** shotgun stick. Competitor will use the finger end of the shotgun stick and close the fused bypass. Journeyman will then use finger end to open recloser operating handle and then using clamp end of shotgun stick, drop the source side first and then the load side jumpers of recloser (remove from primary. Leave jumpers in breaker). The competitor will then remove source side hot line clamp and replace with new hot line clamp. Competitor will reinstall jumpers in the proper sequence, close breaker, and then open bypass. Shotgun stick will be placed in the bag and lowered, yelling "headache" and then the competitor may railroad handline, yelling "headache" again. Time stops when both feet are on the ground.

Event Specifications:

- The competitor may load bag, arrange tools, and ask questions in the 5-minute set up time.
- Event timing begins at judges signal and ends when both feet are on the ground
- Rubber gloves are required ground to ground
- Finger end of the shotgun stick must be in the eye of fuse and breaker for both opening and closing
- Source side shall be isolated first, then load side. Jumpers are to be re-installed in reverse order, with the load side first and then the source side.
- Shotgun stick must be in the bag when not in use
- **Continuity MUST be maintained. Opening the circuit will be a 10 point deduction**

Materials:

- **8ft.** shotgun stick, handline, and stick bag (competitor shall furnish)
- Hot line clamp will be provided



TENNESSEE VALLEY LINEMAN RODEO

SINGLE-PHASE OIL RECLOSER BYPASS

DRAWN BY: MA

CHECKED BY: MA/JS

DATE: 1/10/2025

ASSEMBLY UNIT

2025
TVLR
EVENT



100

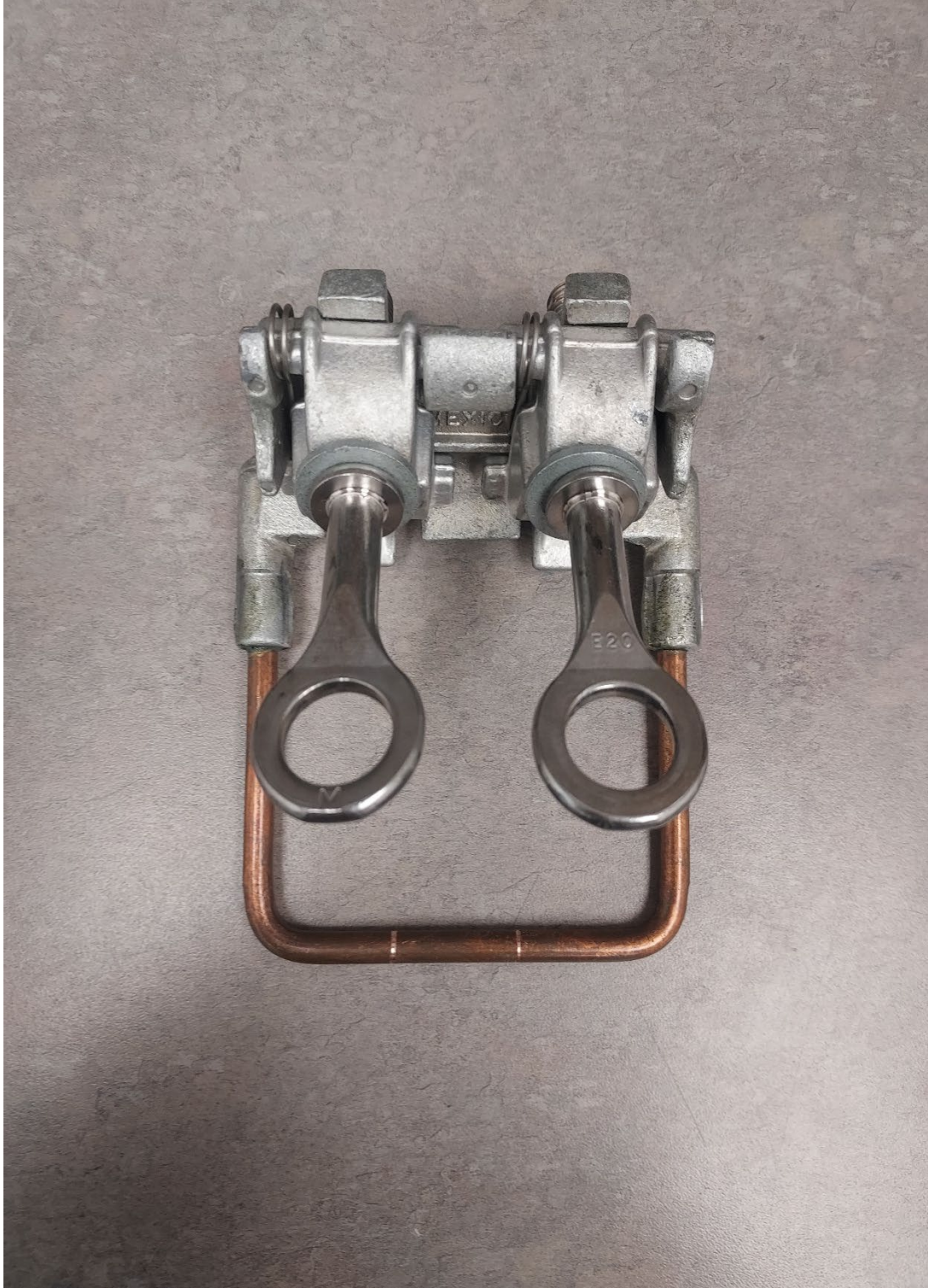
E

NON PCB





MP Copper Hot line Clamp (BC2/0) (C1520) (HLC2108) #8-2/0 9/16" nut



Hubbell Mechanical Stirrup, Copper (AHLS-024) #4 - 4/0 ACSR

