

Storm Restoration

Chief Judge: Steve Stubblefield
Email: SStubblefield@nespower.com

Mean Time: 12 minutes

Drop Dead Time: 15 minutes

Event Summary: This event simulates a repair of a downed single-phase primary line. Fuse will be open at source pole (simulating blown) and conductor will be broke on load side of single phase double dead end. Conductor will be broke midspan with both ends lying on ground between double dead end and dead-end pole. A new section of conductor must be attached using an automatic sleeve. The conductor must be pulled up, sagged, and dead-ended using an automatic sleeve. Each team will be provided a hand coil of #2 ACSR and 2 sleeves. Each hand coil will have more wire than needed to complete the repair. Primary Conductor will be required to test and ground using Class 2 rubber gloves. No contact will be made with down conductor until grounds are applied. Once grounds have been applied, leather gloves can be used to make repairs. Handline must be tagged by groundman while climbing poles, and headache must be called when rail roading handline. All general rodeo rules will apply to this event.

Event Specifications:

1. Teams will be allowed a 5-minute set-up time.
2. The conductor **shall** be tested (with approved tester) and grounded. Team members and judge will be verbally notified when line is grounded.
3. An automatic sleeve/splice will be used to repair the conductor. The sleeve/splice must be made according to manufacturer's instructions.
4. No battery tools used in event.
5. Once event time has stopped, the conductor sag will be measured with a long stick from the primary neutral to the phase midspan. The phase CANNOT be lower than 6 ½' from the neutral to the primary. A Tape mark of 6 ½' will be visible on each measuring stick.
6. Strap Hoist, rope blocks, hand line can be used within manufacturers specs..
7. Time starts at judge's signal.

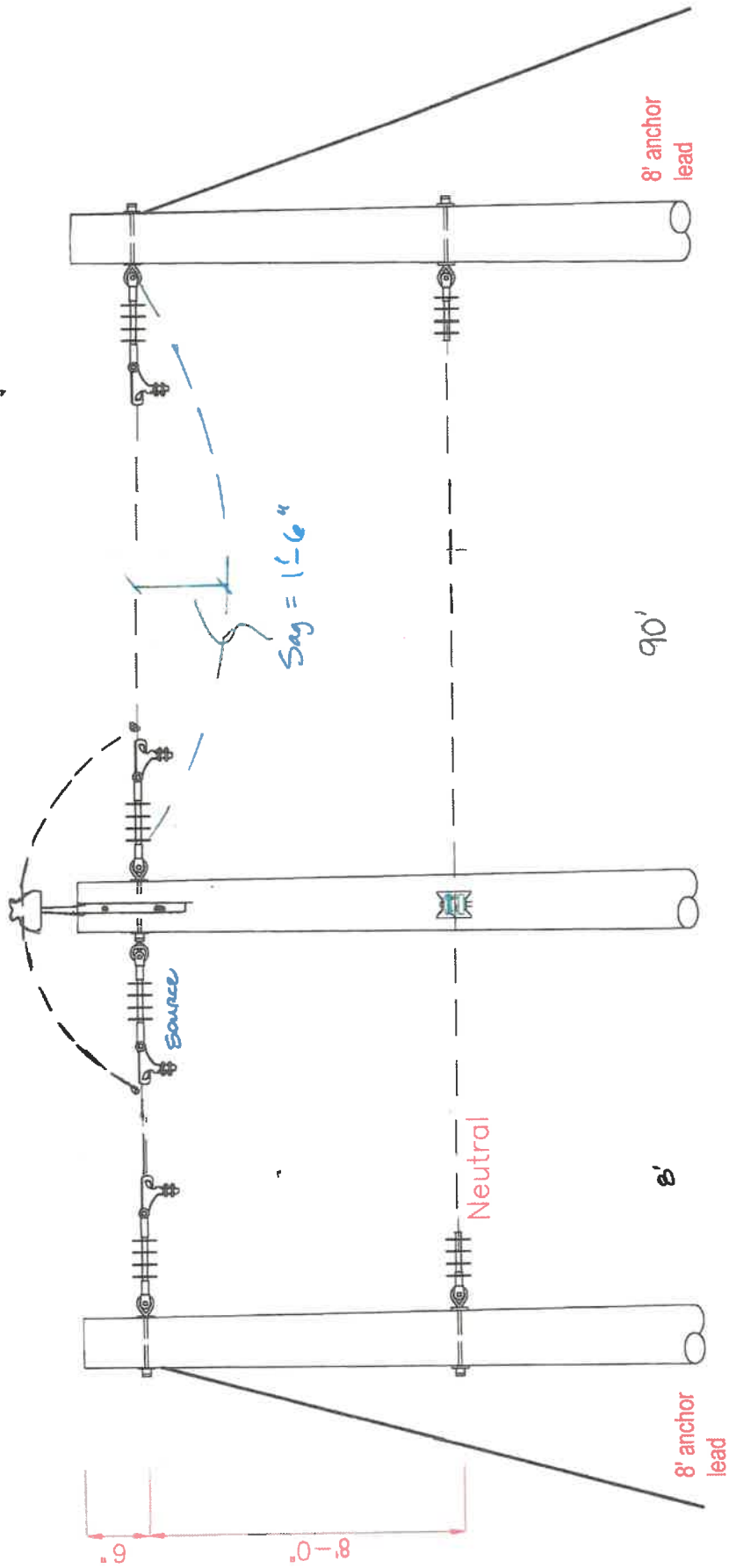
8. Journeyman 1 will climb the double dead-end pole, verify down primary is de-energized (with approved tester) and apply grounds. Bracket or Equipotential grounding is acceptable. Neutral cover-up will not be required while grounding unless transitioning above OR proper neutral clearance cannot be maintained. Grounds SHALL be applied and removed by climber on pole with approved sticks. NO LONG STICKS will be allowed to apply grounds for this event.

9. Once primary is grounded, journeyman 2 can ascend dead-end pole. The old #2 ACSR tail, dead-end bell, and dead-end shoe will be sent to the ground by handline. New bell and shoe will be installed at this pole. (Material will be provided and laying at base of pole and inspected before each use during setup time) Once new bell and shoe are installed, the sleeved primary will be sagged and dead ended at this location.

10. Once wire dead end is complete, climber must transition below neutral and remain in this position until event is complete. Handline may be left at top of pole at this point.

11. Once journeyman 2 is transitioned below neutral, grounds can be removed and sent to the ground by handline. Journeyman 1 will descend pole and time will stop when both climbers feet touch the ground.

12. After time has stopped, climber 2 will stay on pole and help return event to its original state. Primary will be lowered back to ground by handline, dead end bell and shoe removed, and original bell and shoe with tail re-installed. This part of the event will not be timed, but general rules and judging will continue until complete.



DESIGN PARAMETERS:
 1) lead length (radial) lead = 5000lbs /
 foot.
 2) max. line angle = 5" (See Note)

DEADEND	DEADEND
1-PHASE PRIMARY 12.47/7.2 KV	1-PHASE PRIMARY 12.47/7.2 KV



DOUBLE DEADEND (FEED THROUGH)	DOUBLE DEADEND (FEED THROUGH)
1-PHASE PRIMARY 12.47/7.2 KV	1-PHASE PRIMARY 12.47/7.2 KV

METERS:
 lead = 5000lbs /
 foot
 5" (See Note)



DEADEND	DEADEND
1-PHASE PRIMARY 12.47/7.2 KV	1-PHASE PRIMARY 12.47/7.2 KV

A6.2