

Chief Judge: Keith Davenport
Email: keith.davenport@mtemc.com

Hurtman Rescue (Senior)

(Mean Time: 4 minutes)

Simulated Hot on 40' Pole / Rubber Gloves Are Required

1. Time starts at the judge's signal with the lineman inside the starting circle 10' from the pole. Climbing tools will be in the circle at the base of the pole.
2. The Rescue Manikin will hang in the center of the pole on the cross arm side with both ends of the safety strap going over and through the braces.
3. At the judge's signal, the lineman will proceed to put on all tools inside the 10' circle at the pole (this can be done without leather gloves or rubber gloves).
4. The provided handline with Ox Block will be hanging on the cross arm to the right side of the manikin. The lineman will split the handline and call "HEADACHE" before the hook or snap is dropped. The hook or snap must land in the 10' painted circle. If the hook or snap bounces out of the circle there will be no deduction as long as it lands inside the circle first.
5. The rescue manikin must be tied under the arms with three half hitches (Eye splice shall not be used as part of the hitches). The half hitch is the only acceptable knot.
6. When wrapping the handline around the friction bar of the Ox Block two clicks will be acceptable (manufacturers recommendation). Before cutting the insert strap the gate of the Ox Block must be closed.
7. A Buckingham 488P will be used on the manikin. **You must cut the orange insert of the safety (see diagram below) or there will be a 10-point deduction for cutting the belt in the wrong place. In addition, the cost of a replacement strap will be the responsibility of the competitor's utility (approximately \$660.00).**
8. The Rescue Manikin must be lowered smoothly to the ground and land in the painted circle. (Contacting the pole is acceptable)
9. Time will stop when the lineman's first foot touches the ground in a safe and reasonable manner.
10. Exceeding 4 minutes to complete the event will result in a 10-point deduction.
11. Judging will start once the lineman enters the event and continue until that lineman exits the event.
12. **Note:** Using a length of 4" PVC conduit between the rope & the manikin, judges will evaluate the knot around the manikin.

Note: You will have 5 minutes to set-up prior to the event. Read guidelines (General Rules).

Equipment Numbers

SuperSqueeze Rescue Trainer 488P

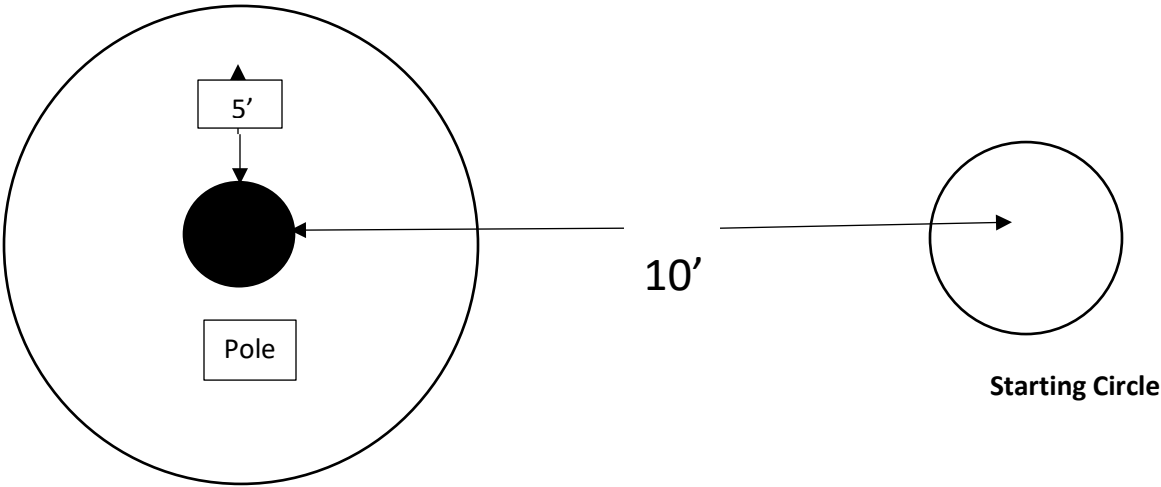
OX Block 50061A-4

Rescue Buck 694

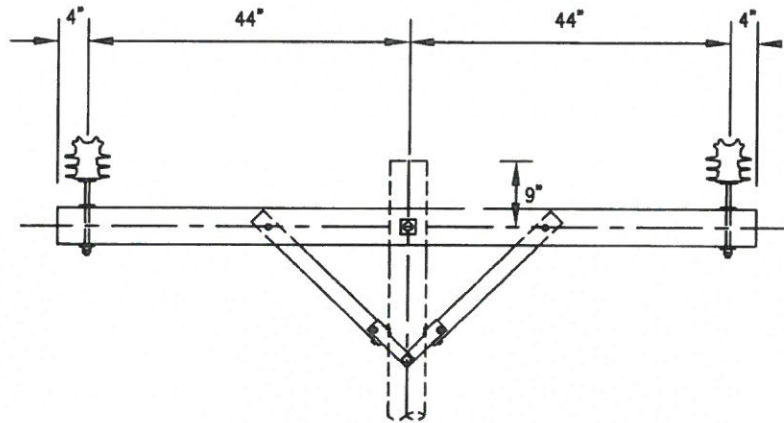
Chief Judge: Keith Davenport
Email: keith.davenport@mtemc.com



Chief Judge: Keith Davenport
Email: keith.davenport@mtemc.com



FRAMING FOR HURTMAN RESCUE



INSULATOR: HENDRIX HPI-55-4
 CROSSARM: 8' WOOD 3 1/2" X 4 1/2" X 8'
 POLE: 40' CLASS 4 WOOD



UNIT:	HURT MAN RESCUE
DRAWN BY:	MCC
CHECKED BY:	SS/MCC
DATE:	6/29/2021



Jackson Energy Authority

UNIT DESIGNATION

RODEO