

B-1 Tie In

(Apprentice Event)

Mean Time: 6

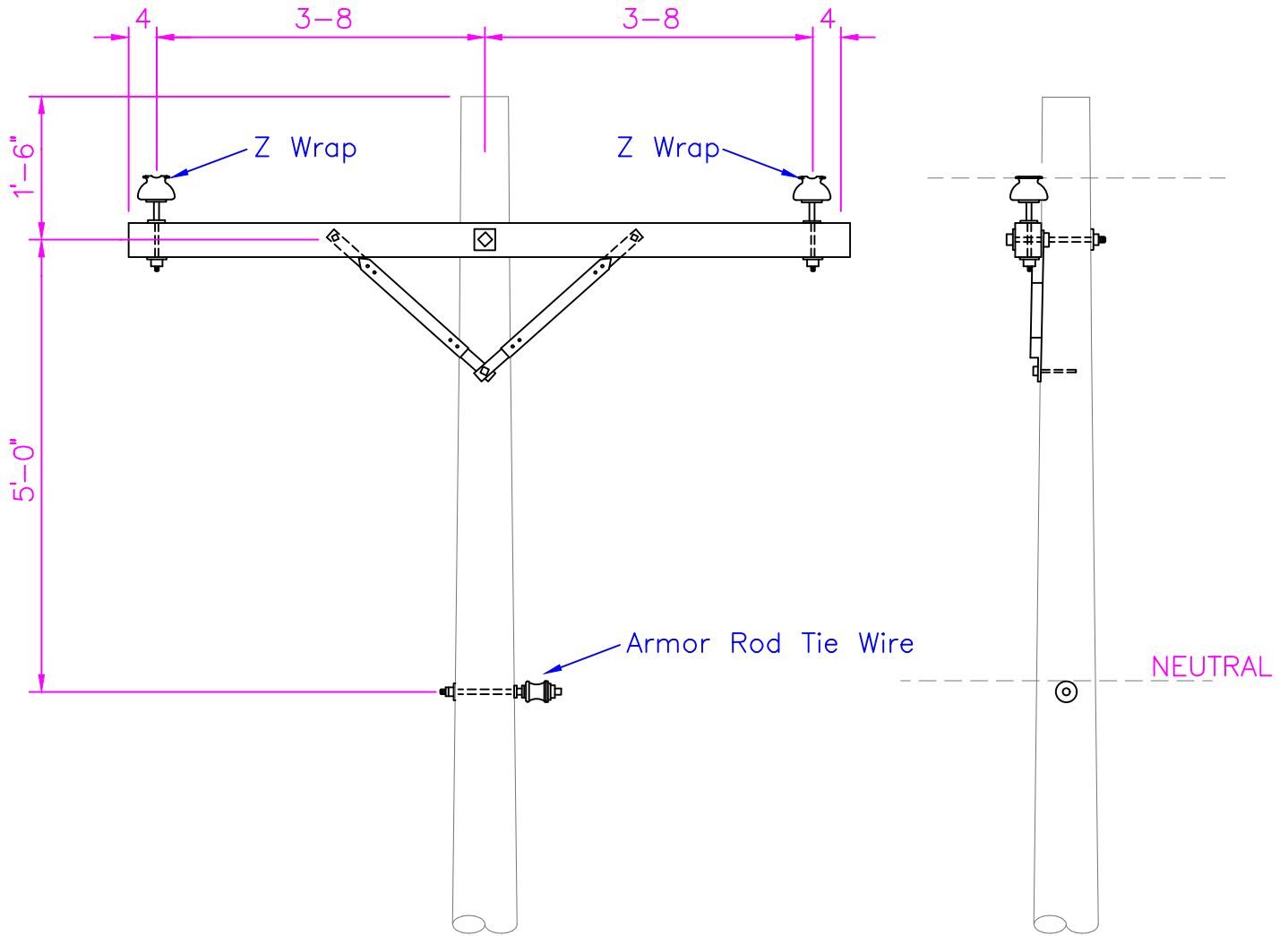
Drop Dead Time: 10

Event Summary:

A (B-1) structure on a 40ft pole. Phases will be in “Bethea Block UB-1-A” roller mounted on the 8 ft. arm and neutral will already be tied in on a upset bolt. Apprentice will remove conductors from rollers and tie in each phase with a (Preform WTJ-0406) wrap tie. The conductor will be tied in on an (Hendrix HPI-25J-02) insulator.

When Apprentice finishes the last tie, he will call out “TIME”. Judges will look over the apprentice job, when satisfied, they will instruct the Apprentice to remove ties and drop them to the ground calling “HEAD ACHE” and put the conductors back in the rollers for next Apprentice.

Time starts when climber gafts the pole, and judging continues until both feet are on the ground. They will be required to carry “hand line” with them as stated in General Rules. Hand line will be used to pull up equipment bag with material provided.



Notes:

- 40-4 wood pole
- 8 ft crossarm
- Steel lead head pins
- Double upset bolt on neutral

DESIGN PARAMETERS:



JAN 2018

14.4 / 8.3 kV TWO PHASE CROSSARM CONSTRUCTION
SINGLE SUPPORT PRIMARY
(TANGENT POLE)

14.1 / 8.3 kV

B1

Q

